

---

 TECHNICAL DATA SHEET

# ABB cable glands – NPG Quick-Connect™ series

## Quick install cable gland



NPG, Quick-Connect™ allows for fast and effective fitting of cable glands without access to the inside of an enclosure, greatly speeding up installation.

**Certifications / Standards:**

(Refer to tables for certifications details)




---

**Features & Benefits:**

- Single Piece (No locknut required)
- Fast and simple to install
- Low internal profile
- Corrosion resistant

---

**Applications:**

- General purpose use
- Ideal for panel builders and volume installers
- Suitable for cable types:
  - Non-armoured
  - Portable
  - Tray

---

**Material:**

- Halogen free nylon (PA6) construction Available in Black, Grey and Light Grey
- Chloroprene seals

---

**Environmental ratings:**
**Working Temperature:**

- Normal use: -20°C to +100°C (-4°F to 212°F)
- Short term: -30 to +150°C (-22 to +302°F)

**Ingress protection:**

- IP66
- IP68 (5 bar 30 mins)

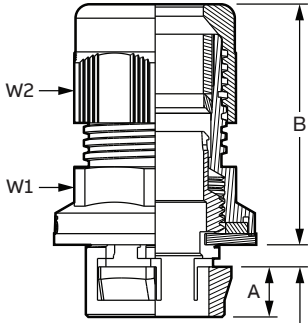
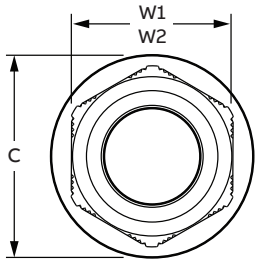
**Chemical resistance guide:**

- See publication TDS000081

---

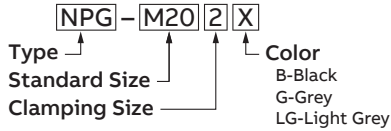
**Conforms to:**

- UL514B / CSA C22.2 No 18.3 (see table for details)
- EN 62444
- RoHS (Restriction of Hazardous Substances Directive) 2011/65/EU Incorporating 2015/863 amendment to Annex II
- WEEE (Waste Electrical & Electronic Equipment Directive) 2002/96/EC
- LVD (Low Voltage Directive) 2014/35/EU



WALL THICKNESS  
0.5mm to 4.0 mm  
(0.020" to 0.157")

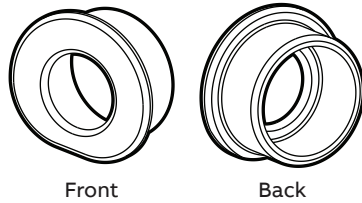
**Part number information:**



Nylon Quick install Cable Gland  
7-13mm Suitable for 20mm opening

**Removal tool:**

- Push from inside the enclosure using this tool to easily remove the cable gland.
- Sold separately (Light grey plastic - RAL 7035)



Front

Back

Product selection										
Part no:	Standard size (metric)	Cable range		Hole size		Nominal dimensions				
		Min	Max	Min	Max	A	B	C	W1	W2
NPG-M16x cURus	M16	<b>5.0</b>	<b>10.0</b>	<b>16.2</b>	<b>16.4</b>	<b>9.0</b>	<b>42.5</b>	<b>26.5</b>	<b>22.0</b>	<b>22.0</b>
NPG-M201x cURus	M20	<b>6.0</b>	<b>12.0</b>	<b>20.2</b>	<b>20.4</b>	<b>9.0</b>	<b>41.5</b>	<b>30.3</b>	<b>24.0</b>	<b>24.0</b>
NPG-M202x cURus	M20	<b>7.0</b>	<b>13.0</b>	<b>20.2</b>	<b>20.4</b>	<b>9.0</b>	<b>41.5</b>	<b>30.3</b>	<b>25.0</b>	<b>25.0</b>
NPG-M251x cURus	M25	<b>11.0</b>	<b>17.0</b>	<b>25.2</b>	<b>25.4</b>	<b>9.0</b>	<b>43.5</b>	<b>36.3</b>	<b>29.0</b>	<b>29.0</b>
NPG-M321x cURus	M32	<b>15.0</b>	<b>21.0</b>	<b>32.2</b>	<b>32.4</b>	<b>9.0</b>	<b>49.5</b>	<b>43.2</b>	<b>36.0</b>	<b>36.0</b>

Product selection										
Part no:	Standard size (NPT)	Cable range		Hole size		Nominal dimensions				
		Min	Max	Min	Max	A	B	C	W1	W2
NPG-0381x cURus	3/8"	<b>5.0</b>	<b>10.0</b>	<b>17.65</b>	<b>18.85</b>	<b>10.0</b>	<b>41.2</b>	<b>26.5</b>	<b>22.0</b>	<b>22.0</b>
NPG-0501x cURus	1/2"	<b>6.0</b>	<b>12.0</b>	<b>21.84</b>	<b>23.01</b>	<b>10.0</b>	<b>39.2</b>	<b>30.5</b>	<b>24.0</b>	<b>24.0</b>
NPG-0502x cULus	1/2"	<b>10.0</b>	<b>14.0</b>	<b>21.84</b>	<b>23.01</b>	<b>10.0</b>	<b>39.8</b>	<b>30.5</b>	<b>27.0</b>	<b>27.0</b>
NPG-0751x cULus	3/4"	<b>13.0</b>	<b>18.0</b>	<b>27.78</b>	<b>28.98</b>	<b>10.0</b>	<b>41.9</b>	<b>39.0</b>	<b>33.0</b>	<b>33.0</b>
NPG-1001x cULus	1"	<b>18.0</b>	<b>25.0</b>	<b>34.51</b>	<b>35.71</b>	<b>10.0</b>	<b>50.1</b>	<b>47.5</b>	<b>42.0</b>	<b>42.0</b>

Replace the "x" of the catalog number by one of the following:

B = black (RAL 9005), G = grey (RAL 7001), LG = light grey (RAL 7035)

Bold numbers are metric, parenthesis numbers are inches.

Note: Product must be installed in accordance with applicable national and local electrical codes.

Product selection	
Part no:	Standard size (metric)
NPG-M16-RT	M16
NPG-M20-RT	M20
NPG-M25-RT	M25
NPG-M32-RT	M32

Product selection	
Part no:	Standard size (NPT)
NPG-038-RT	3/8"
NPG-050-RT	1/2"
NPG-075-RT	3/4"
NPG-100-RT	1"

ABB Inc.  
Electrification products  
Memphis, Tennessee  
USA

We reserve the right to make technical changes or modify the contents of this document without prior notice. With regard to purchase orders, the agreed particulars shall prevail. ABB Inc. does not accept any responsibility whatsoever for potential errors or possible lack of information in this document.

We reserve all rights in this document and in the subject matter and illustrations contained therein. Any reproduction, disclosure to third parties or utilization of its contents – in whole or in parts – is forbidden without prior written consent of ABB Inc. Copyright© 2017 ABB Inc. All rights reserved